

R1-SERIES REVERSE OSMOSIS SYSTEMS

AXEON® R1-Series Reverse Osmosis Systems are designed for overall superior performance, high recovery rates, minimal energy consumption and offer great savings with low maintenance and low operation costs.

R1-Series Reverse Osmosis Systems feature a new, innovative design. These systems feature only the highest quality components, including a programmable computer controller with many built-in standard features, a stainless steel booster pump for high performance and corrosion resistance, ultra low energy membranes and fiberglass membrane housings for enhanced performance and durability.

R1-Series Reverse Osmosis Systems have been engineered for capacities ranging from 1,800-21,600 gallons per day.



R1-12140
Reverse Osmosis System

BENEFITS

- Fully Equipped and Customizable
- Skid Mounted
- Decreased Size of Dimensional Footprint from Standard Reverse Osmosis Systems
- Components Easily Accessible
- Pre-Plumbed, Wired and Assembled
- Individually Tested and Preserved
- Low Operation and Maintenance Costs
- Easy Maintenance and Servicing
- 20% Less Energy Use than Standard Reverse Osmosis Systems
- 1-Year Limited Warranty

AXEON Naming Matrix				
	R1	6	1	40
R-Series Model				
R1	Tap Water Model			
Housing Quantity Designation				
1	1 Vessel			
2	2 Vessels			
3	3 Vessels			
4	4 Vessels			
5	5 Vessels			
6	6 Vessels			
8	8 Vessels			
10	10 Vessels			
12	12 Vessels			
Membrane Quantity Per Housing				
1	1 Membrane			
4.0 Inch Membrane Diameter				

FEATURES

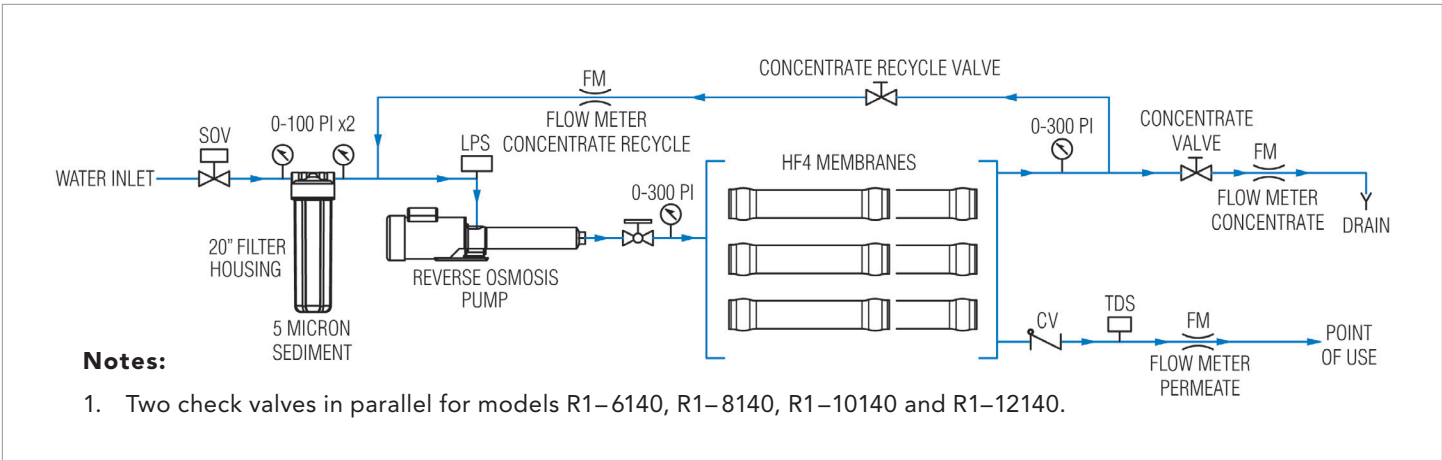
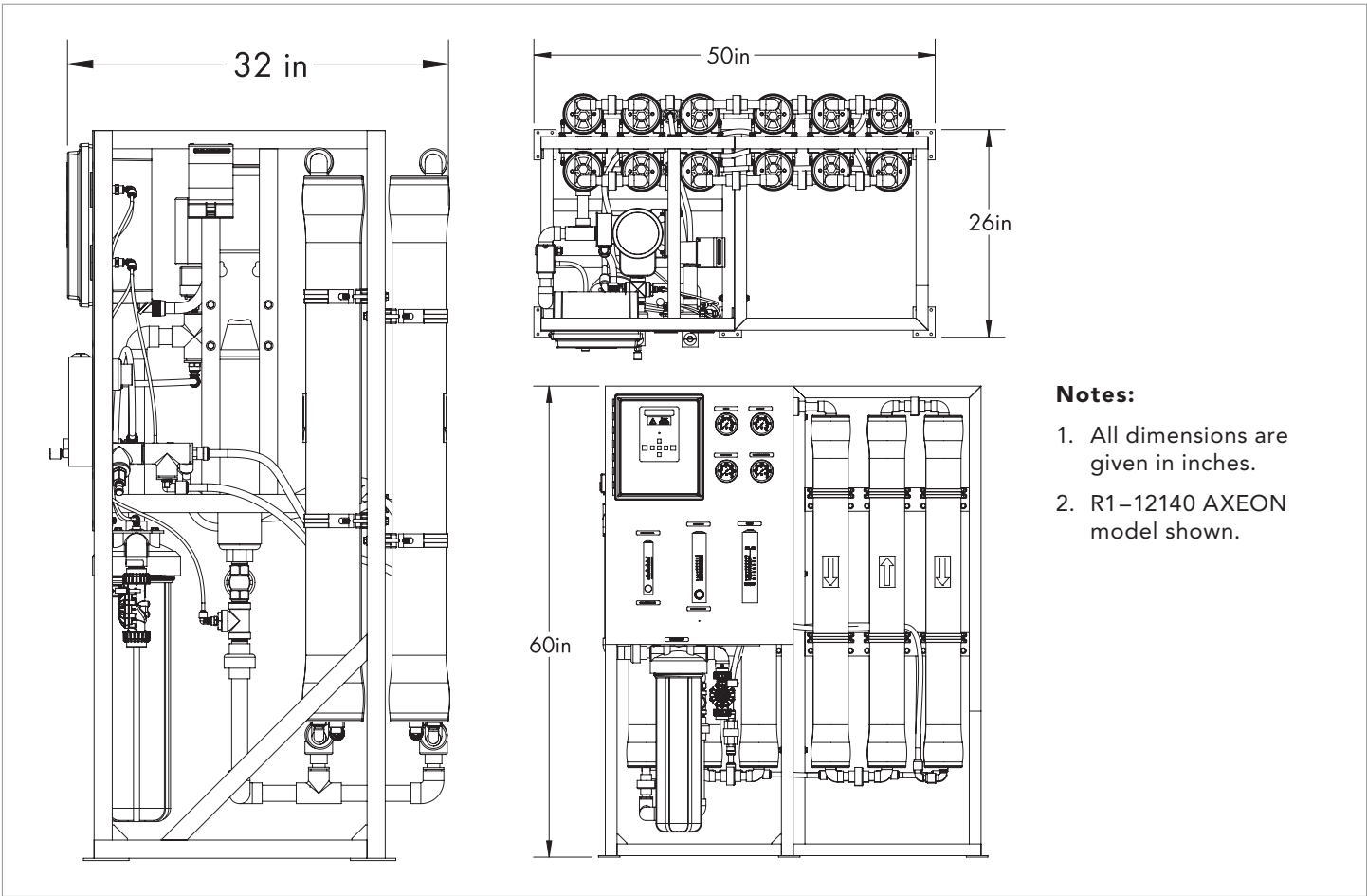
- S-150 Computer Controller
 - LCD Backlit Display
 - Pre-Treatment Lockout
 - Tank Level Input
 - Low Pressure Monitoring and Alarm
 - Hour Meter
 - TDS Monitoring
 - Feed Flush
- AXEON Permeate and Concentrate Flow Meters
- AXEON Concentrate Recycle Flow Meter
- AXEON Pre-Filter 0-100 psi Panel Mounted Glycerin Filled Gauges
- AXEON Pump Discharge and Concentrate 0-300 psi Panel Mounted Glycerin Filled Gauges
- AXEON 5-Micron Sediment Pre-Filter
- AXEON HF5-Series Ultra Low Energy Membrane Elements
- AXEON FRP-Series Membrane Housings (300 psi)
- AXEON by Pentair® 20" Big Grey Cartridge Housings
- Goulds® Multi-Stage Stainless Steel Booster Pump
- ASCO™ Composite Feed Solenoid Valve
- Feed Low Pressure Switch
- White Powder Coated Aluminum Frame
- Dual Chemical Pump Outlets

OPTIONS AND UPGRADES

- S-150 Expander Board
- S-150 Dual TDS Board and Sensor
- Filmtec® LCLE Membrane Elements
- AXEON SS-Series Membrane Elements
- AXEON NF3-Series Membrane Elements
- AXEON NF4-Series Membrane Elements
- AXEON HR3-Series Membrane Elements
- Hanna® BL 981411 pH Controller
- Permeate Flush
- Permeate Divert
- Permeate Sample Valves
- Pump Pressure Relief Valve
- Blending Valve
- High Pressure Tank Switch
- Wooden Crate

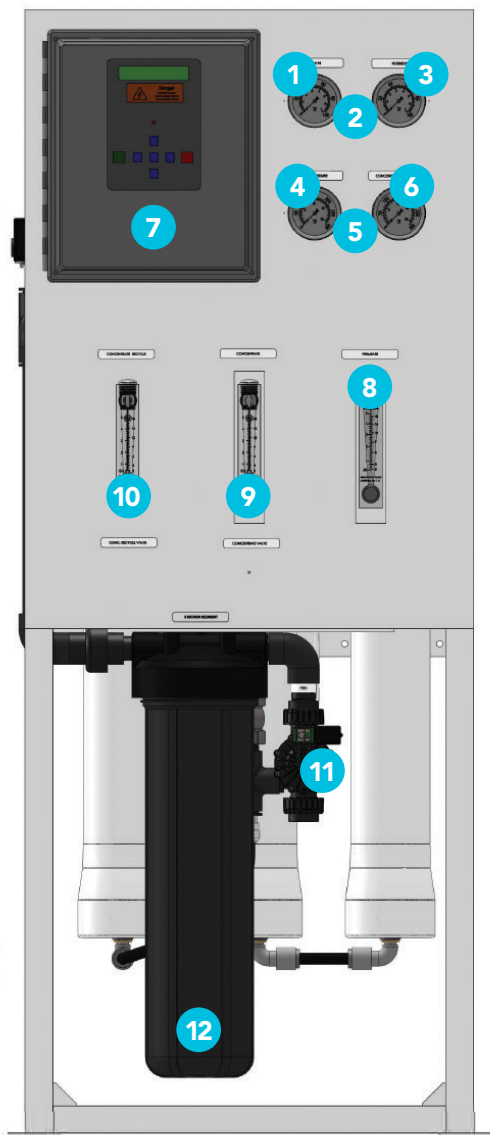


R1-12140
Reverse Osmosis System



ARRAY SPECIFICATIONS

Model	Vessel Array	Vessel Size	Vessel Quantity	Membrane Size	Membrane Quantity
R1-1140	1	4040	1	4040	1
R1-2140	1:1	4040	2	4040	2
R1-3140	1:1:1	4040	3	4040	3
R1-4140	1:1:1:1	4040	4	4040	4
R1-5140	1:1:1:1:1	4040	5	4040	5
R1-6140	2:2:2	4040	6	4040	6
R1-8140	2:2:2:2	4040	8	4040	8
R1-10140	2:2:2:2:2	4040	10	4040	10
R1-12140	2:2:2:2:2:2	4040	12	4040	12



1 Filter In

Measures feed pressure which needs a minimum > 45 psi. Lower pressure can create low pressure faults.

2 Differential pressure is measured based on the Filter In and Filter Out and if it exceeds 15 psi then the filter must be replaced.

3 Filter Out

Measures pressure after the filter. This pressure must be above > 40 psi. Low pressure switch will shut off unit when it goes below < 15 psi.

4 Pump Pressure

Displays pressure after the RO Pump and before the first membrane. Max pressure is 200 psi.

5 If differential pressure on these two gauges shows above 15 psi per each membrane housing (ex. 3 membranes in series would add up to 45+ psi) then membrane likely is fouled. Clean or replace membranes.

6 Concentrate Pressure

Displays pressure after the last membrane.

7 S150 Controller

Monitors functions from TDS, temperature, rejection (with dual TDS Option) RO pump, pressures and solenoid valve. Voltage standard is 220 1 pH and optional 3 pH, voltage 380, 460, 575 VAC. This controller is UL/CUL certified.

8 Permeate

Shows the amount of water being produced in GPM (Gallons Per Minute), also known as Product Water.

9 Concentrate/Concentrate Valve

Measures flows of waste water using an integrated needle valve to adjust pressure and flows.

10 Concentrate Recycle/Concentrate Recycle Valve

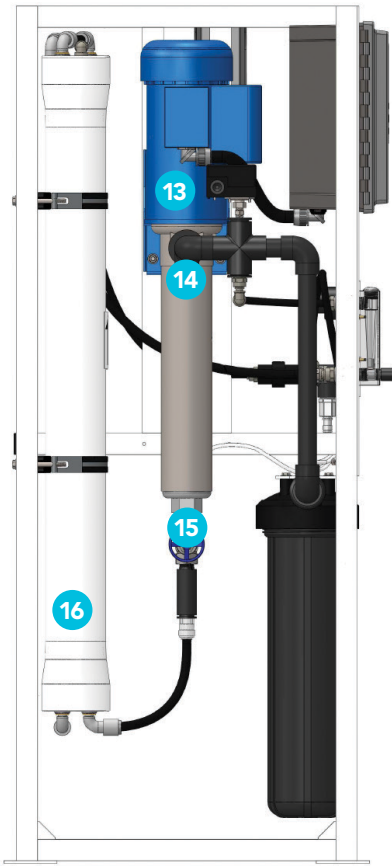
Measures flows of recycled water from the waste water side for higher recovery using an integrated needle valve to adjust flows. This is used in conjunction with concentrate water.

11 Solenoid Valve

The ASCO brand solenoid is a composite valve that lets water in or stops based on RO demand. The size is 1" FNPT (female pipe thread). ALWAYS have the same size or larger pipe.

12 Sediment Filter

This uses a 4.5" x 20" filter that traps particulates as low as 5 microns using a 5 MIC filter.

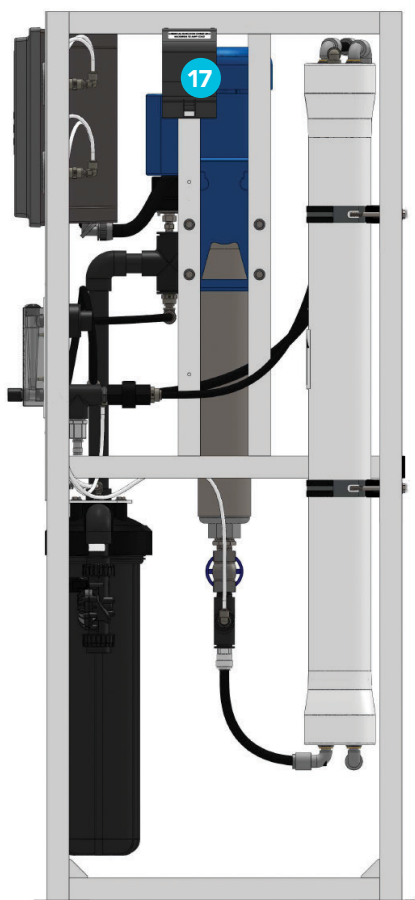


13 RO Pump
 This produces the required pressure for the RO system. The R1 has two sizes: 1.5 hp for the R1-1140 to R1-4140 and 3 hp for the R1-5140 to R1-12140.

14 Injection Port
 This is for the injector used in a chemical injection system. This injects a chemical to help prevent fouling of the membrane. S200 is the chemical used to sequester hardness so it won't plug the membranes. Up to 300 GPG.

15 Pump Throttle Valve
 This controls the flow and pressure from the pump. NEVER fully close this or damage will occur from heat and dead heading.

16 Fiberglass Pressure Valve
 Stores membranes (HF5-4040) that produce clean water.



17 Injection Power
 Power source only for the chemical injection pump. It is not to be used for anything else or overloading can occur.



*RWS-Series
 Packaged Water Systems*

AXEON Reverse Osmosis Packaged Water Systems include configurations that produce 2,000 to 21,000 gallons of pure water per day. These systems arrive fully assembled, tested and ready for plug-in-play installation.

SPECIFICATIONS

MODELS	R1-1140	R1-2140	R1-3140	R1-4140	R1-5140	R1-6140	R1-8140	R1-10140	R1-12140	
Design										
Configuration	Single Pass	Single Pass	Single Pass	Single Pass	Single Pass	Single Pass	Single Pass	Single Pass	Single Pass	
Feedwater TDS max (ppm) ^A	2,000	2,000	2,000	2,000	2,000	2,000	2,000	2,000	2,000	
Standard Recovery %	29	45	56	63	68	56	63	68	71	
Rejection and Flow Rates^B										
Permeate Flow Rate (gpd / lpd)	1,800 / 6,813	3,600 / 13,627	5,400 / 20,441	7,200 / 27,254	9,000 / 34,068	10,800 / 40,882	14,400 / 54,509	18,000 / 68,137	21,600 / 81,764	
Permeate Flow (gpm / lpm)	1.25 / 4.73	2.50 / 9.46	3.75 / 14.19	5.00 / 18.93	6.25 / 23.66	7.50 / 28.39	10.00 / 37.85	12.50 / 47.32	15.00 / 56.78	
Minimum Concentrate Flow (gpm / lpm)	3 / 11.35	3 / 11.35	3 / 11.35	3 / 11.35	3 / 11.35	6 / 22.71	6 / 22.71	6 / 22.71	6 / 22.71	
Concentrate Recycle Flow Rate (gpm / lpm)	Up to 5 / 18.93	Up to 5 / 18.93	Up to 5 / 18.93	Up to 5 / 18.93	Up to 5 / 18.93	Up to 5 / 18.93	Up to 5 / 18.93	Up to 5 / 18.93	Up to 5 / 18.93	
Connections										
Feed Connection (in)	1 FNPT	1 FNPT	1 FNPT	1 FNPT	1 FNPT	1 FNPT	1 FNPT	1 FNPT	1 FNPT	
Permeate Connection (in)	3/4 FNPT	3/4 FNPT	3/4 FNPT	1 FNPT	1 FNPT	1 FNPT	1 FNPT	1 FNPT	1 FNPT	
Concentrate Connection (in)	3/4 FNPT	3/4 FNPT	3/4 FNPT	1 FNPT	1 FNPT	1 FNPT	1 FNPT	1 FNPT	1 FNPT	
Membranes										
Membranes Per Vessel	1	1	1	1	1	1	1	1	1	
Membrane Quantity	1	2	3	4	5	6	8	10	12	
Membrane Size	4040	4040	4040	4040	4040	4040	4040	4040	4040	
Nominal TDS Rejection %	98.5	98.5	98.5	98.5	98.5	98.5	98.5	98.5	98.5	
Vessels										
Vessel Array	1	1:1	1:1:1	1:1:1:1	1:1:1:1:1	2:2:2	2:2:2:2	2:2:2:2:2	2:2:2:2:2:2	
Vessel Quantity	1	2	3	4	5	6	8	10	12	
Pumps										
Pump Type	Multi-Stage	Multi-Stage	Multi-Stage	Multi-Stage	Multi-Stage	Multi-Stage	Multi-Stage	Multi-Stage	Multi-Stage	
Motor HP	1.5	1.5	1.5	1.5	3	3	3	3	3	
RPM @ 60Hz	3450	3450	3450	3450	3450	3450	3450	3450	3450	
System Electrical										
Standard Voltage + Amp Draw	220V, 60Hz, 1PH, 8.8A ^C	220V, 60Hz, 1PH, 8.8A ^C	220V, 60Hz, 1PH, 8.8A ^C	220V, 60Hz, 1PH, 8.8A ^C	220V, 60Hz, 1PH, 16A ^C	220V, 60Hz, 1PH, 16A ^C	220V, 60Hz, 1PH, 16A ^C	220V, 60Hz, 1PH, 16A ^C	220V, 60Hz, 1PH, 16A ^C	
System Dimensions										
Approximate Dimensions ^D L x W x H (in / cm)	26 x 26 x 60 / 73.66 x 66.04 x 154.94	26 x 26 x 60 / 73.66 x 66.04 x 154.94	26 x 26 x 60 / 73.66 x 66.04 x 154.94	32 x 26 x 60 / 78.74 x 66.04 x 154.94	32 x 26 x 60 / 78.74 x 66.04 x 154.94	32 x 26 x 60 / 78.74 x 66.04 x 154.94	32 x 26 x 60 / 78.74 x 66.04 x 154.94	32 x 50 x 60 / 83.82 x 127 x 154.94	32 x 50 x 60 / 83.82 x 127 x 154.94	32 x 50 x 60 / 83.82 x 127 x 154.94
Approximate Weight (lbs / kg)	250 / 113.40	290 / 131.54	330 / 149.68	370 / 167.83	430 / 195.05	470 / 213.19	510 / 231.33	550 / 249.48	590 / 267.62	

Test Parameters: 550 TDS Filtered (5-Micron), Dechlorinated, Municipal Feedwater, 65 psi / 4.50 bar Feed Pressure, 80 psi / 5.5 bar Operating Pressure, 77°F / 25°C, Recovery as stated, 7.0 pH. Data taken after 60 minutes of operation.

- A. Low temperatures and feedwater quality, such as high TDS levels will significantly affect the systems production capabilities and performance. Computer projections must be run for individual applications which do not meet or exceed minimum and maximum operating limits for such conditions.
- B. Product flow and maximum recovery rates are based on feedwater conditions as stated above. Do not exceed recommended permeate flow.
- C. Varies with motor manufacturer.
- D. Does not include operating space requirements.

OPERATING LIMITS^E

Maximum Feed Temperature (°F / °C)	85 / 29	Maximum Free Chlorine (ppm)	0
Minimum Feed Temperature (°F / °C)	40 / 4	Maximum TDS (ppm)	2,000
Maximum Ambient Temperature (°F / °C)	120 / 49	Maximum Hardness (gpg)	0
Minimum Ambient Temperature (°F / °C)	40 / 4	Maximum pH (continuous)	11
Maximum Feed Pressure (psi / bar)	85 / 6	Minimum pH (continuous)	2
Minimum Feed Pressure (psi / bar)	45 / 3	Maximum pH (cleaning 30 minutes)	13
Maximum Pressure (psi / bar)	200 / 14	Minimum pH (cleaning 30 minutes)	1
Maximum Feed Silt Density Index (SDI)	< 3	Maximum Turbidity NTU	1

E. System pressure is variable due to water conditions. Permeate flow will increase at a higher temperature and will decrease at a lower temperature.

800-320-4074

AXEONwater.com

