


Qty.	Description
1	<p data-bbox="199 338 550 365">CM 3-8 A-S-I-E-AQQE B-A-A-N</p>  <p data-bbox="592 629 1062 651" style="text-align: center;">Note! Product picture may differ from actual product</p> <p data-bbox="199 660 478 685">Product No.: On request</p> <p data-bbox="199 719 1445 792">Compact, reliable, horizontal, multistage, end-suction centrifugal pump with axial suction port and radial discharge port. Pump materials in contact with the liquid are in stainless steel. The mechanical shaft seal is a special designed, unbalanced O-ring seal. Pipework connection is via internal NPT pipe threads.</p> <p data-bbox="199 804 1070 831">The pump is fitted with a 1-phase, foot-mounted, fan-cooled asynchronous motor.</p> <p data-bbox="199 864 300 889">Controls:</p> <p data-bbox="199 896 636 920">Frequency converter: NONE</p> <p data-bbox="199 954 276 978">Liquid:</p> <p data-bbox="199 985 632 1010">Pumped liquid: Water</p> <p data-bbox="199 1016 703 1041">Liquid temperature range: -20 .. 120 °C</p> <p data-bbox="199 1048 628 1072">Selected liquid temperature: 20 °C</p> <p data-bbox="199 1079 695 1104">Density: 998.2 kg/m³</p> <p data-bbox="199 1137 316 1162">Technical:</p> <p data-bbox="199 1169 818 1193">Pump speed on which pump data are based: 3480 rpm</p> <p data-bbox="199 1200 671 1225">Rated flow: 3.72 m³/h</p> <p data-bbox="199 1232 655 1256">Rated head: 80.15 m</p> <p data-bbox="199 1263 636 1288">Code for shaft seal: AQQE</p> <p data-bbox="199 1294 971 1319">Approvals: CE,CULUS,WRAS,ACS,CURUS,EAC</p> <p data-bbox="199 1326 759 1350">Curve tolerance: ISO9906:2012 3B</p> <p data-bbox="199 1384 309 1408">Materials:</p> <p data-bbox="199 1415 724 1485">Pump housing: Stainless steel EN 1.4301 AISI 304</p> <p data-bbox="199 1491 724 1574">Impeller: Stainless steel EN 1.4301 AISI 304</p> <p data-bbox="199 1608 327 1632">Installation:</p> <p data-bbox="199 1639 691 1664">Range of ambient temperature: -20 .. 55 °C</p> <p data-bbox="199 1671 636 1695">Maximum operating pressure: 16 bar</p> <p data-bbox="199 1702 730 1753">Max pressure at stated temp: 16 bar / 90 °C 10 bar / 120 °C</p> <p data-bbox="199 1760 647 1785">Type of connection: NPT(F)</p> <p data-bbox="199 1792 632 1816">Size of inlet connection: 1 inch</p> <p data-bbox="199 1823 632 1848">Size of outlet connection: 1 inch</p> <p data-bbox="199 1854 595 1879">Outlet position: 12</p> <p data-bbox="199 1912 363 1937">Electrical data:</p> <p data-bbox="199 1944 636 1968">Motor standard: NEMA</p> <p data-bbox="199 1975 632 2000">Frame size: 90CC</p> <p data-bbox="199 2007 643 2031">Rated power - P2: 1.5 kW</p> <p data-bbox="199 2038 632 2063">Mains frequency: 60 Hz</p> <p data-bbox="199 2069 584 2094">Suitable for 50/60 Hz: N</p>



Company name:

Created by:

Phone:

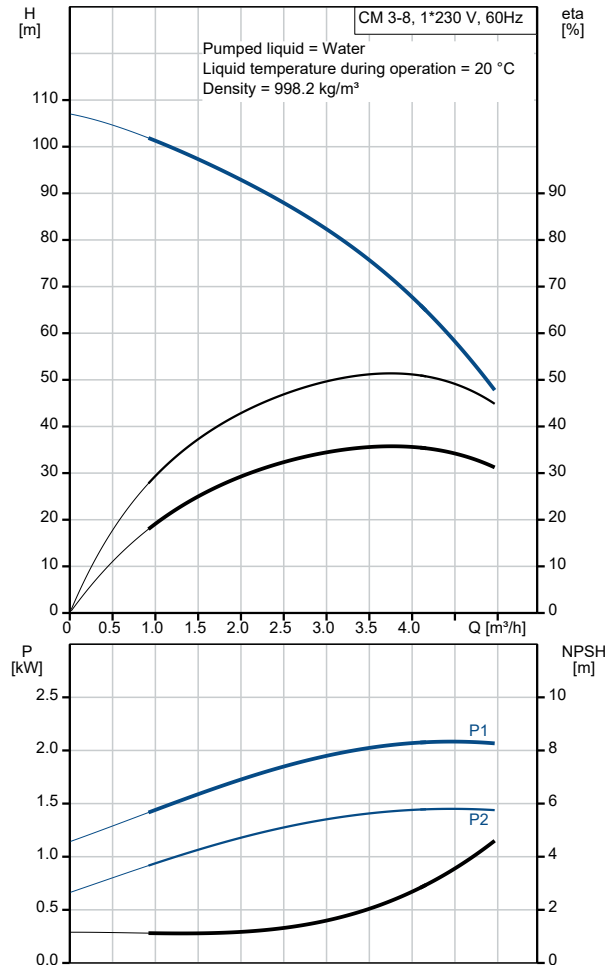
Date: 01/12/2021

Qty.	Description
------	-------------

Phases:	1
Rated voltage:	115/230 V V
Service factor:	1.00
Rated current:	18.8/9.8 A
Starting current:	400-400 %
Rated speed:	3360 rpm
Enclosure class (IEC 34-5):	IP55
Insulation class (IEC 85):	F
Built-in motor protection:	NONE
Cable included (Yes/No):	N

Others:	
Terminal box position:	12
Minimum efficiency index, MEI \geq :	0.7
Net weight:	24.6 kg
Gross weight:	27.1 kg

Description	Value
General information:	
Product name:	CM 3-8 A-S-I-E-AQQE B-A-A-N
Product No:	On request
EAN number:	On request
Price:	
Technical:	
Pump speed on which pump data are based:	3480 rpm
Rated flow:	3.72 m ³ /h
Rated head:	80.15 m
Impellers:	8
Code for shaft seal:	AQQE
Approvals:	CE,CULUS,WRAS,ACS,CUR US,EAC
Curve tolerance:	ISO9906:2012 3B
Pump version:	A
Model:	A
Materials:	
Pump housing:	Stainless steel
Pump housing:	EN 1.4301
Pump housing:	AISI 304
Impeller:	Stainless steel
Impeller:	EN 1.4301
Impeller:	AISI 304
Material code:	I
Code for rubber:	E
Installation:	
Range of ambient temperature:	-20 .. 55 °C
Maximum operating pressure:	16 bar
Max pressure at stated temp:	16 bar / 90 °C
Max pressure at stated temp:	10 bar / 120 °C
Type of connection:	NPT(F)
Size of inlet connection:	1 inch
Size of outlet connection:	1 inch
Outlet position:	12
Connect code:	S
Liquid:	
Pumped liquid:	Water
Liquid temperature range:	-20 .. 120 °C
Selected liquid temperature:	20 °C
Density:	998.2 kg/m ³
Electrical data:	
Motor standard:	NEMA
Frame size:	90CC
Rated power - P2:	1.5 kW
Mains frequency:	60 Hz
Suitable for 50/60 Hz:	N
Phases:	1
Rated voltage:	115/230 V V
Service factor:	1.00
Rated current:	18.8/9.8 A
Starting current:	400-400 %
Rated speed:	3360 rpm
Enclosure class (IEC 34-5):	IP55
Insulation class (IEC 85):	F
Built-in motor protection:	NONE
Cable included (Yes/No):	N
Controls:	





Company name:

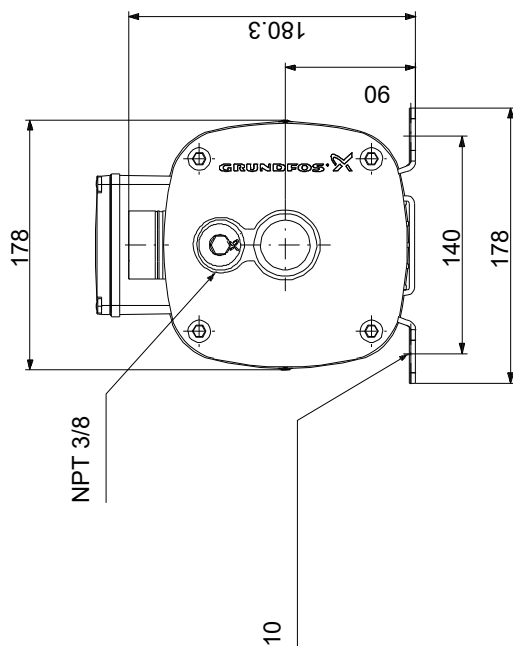
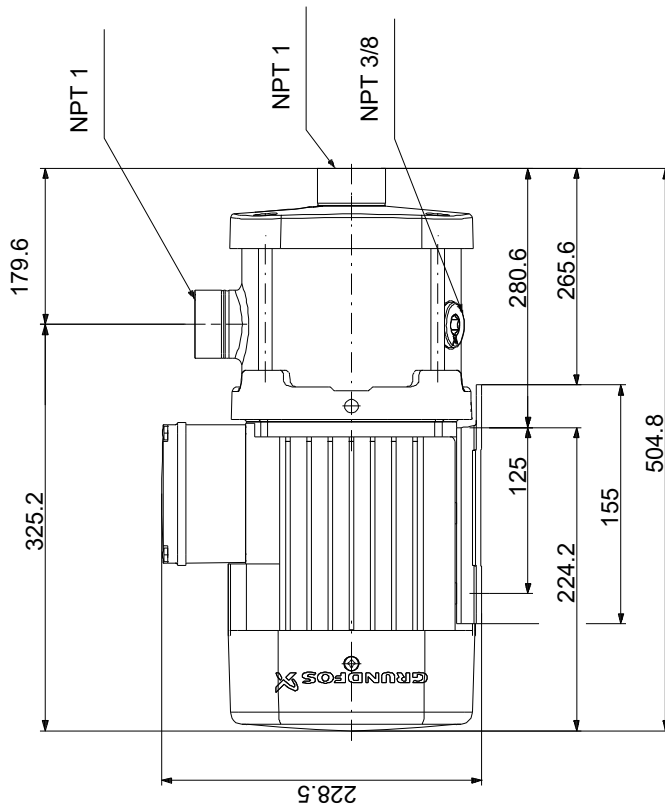
Created by:

Phone:

Date: 01/12/2021

Description	Value
Frequency converter:	NONE
Others:	
Terminal box position:	12
Minimum efficiency index, MEI ≥:	0.7
Net weight:	24.6 kg
Gross weight:	27.1 kg

On request CM 3-8 A-S-I-E-AQQE B-A-A-N 60 Hz

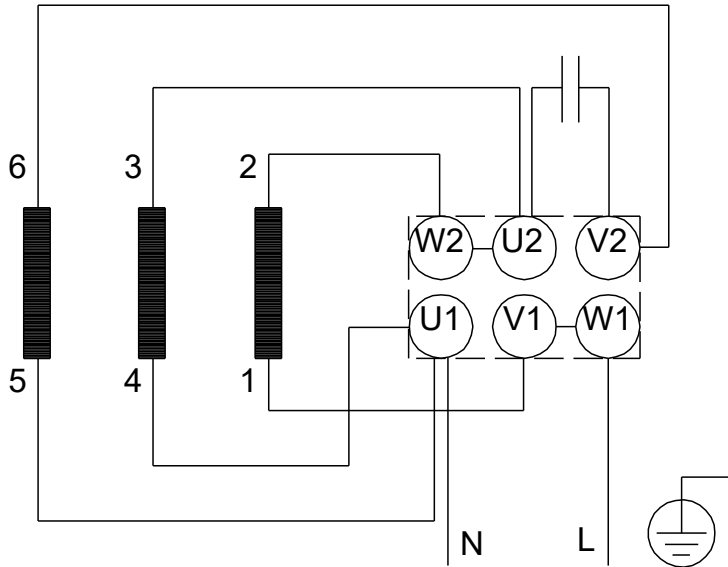


Note! All units are in [mm] unless others are stated.
Disclaimer: This simplified dimensional drawing does not show all details.

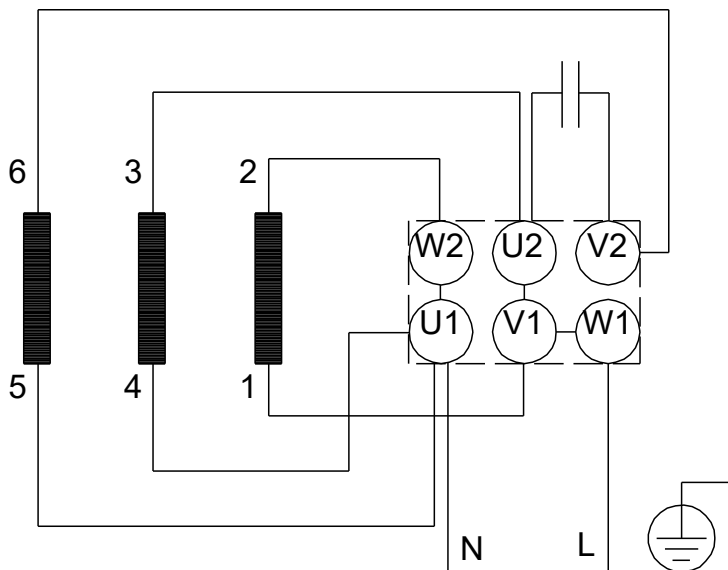
On request CM 3-8 A-S-I-E-AQQE B-A-A-N 60 Hz

SUITABLE FOR FIELD CONNECTION

HIGH VOLTAGE



LOW VOLTAGE



Note! All units are in [mm] unless others are stated.